

# JUKI®

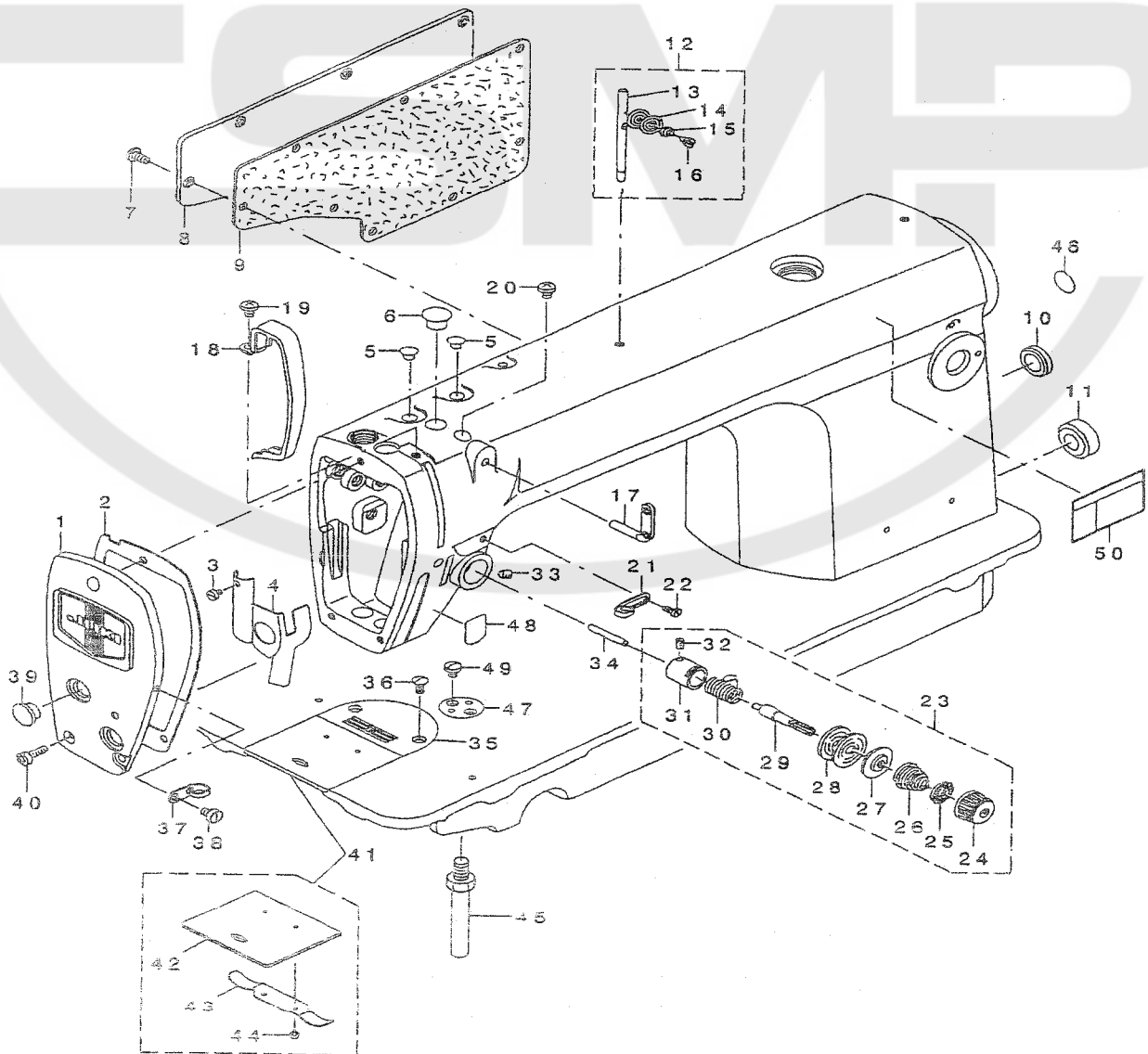
## High-speed, 1-Needle, Lockstitch Industrial Sewing Machine

# DDL-8300N Series

# PARTS LIST

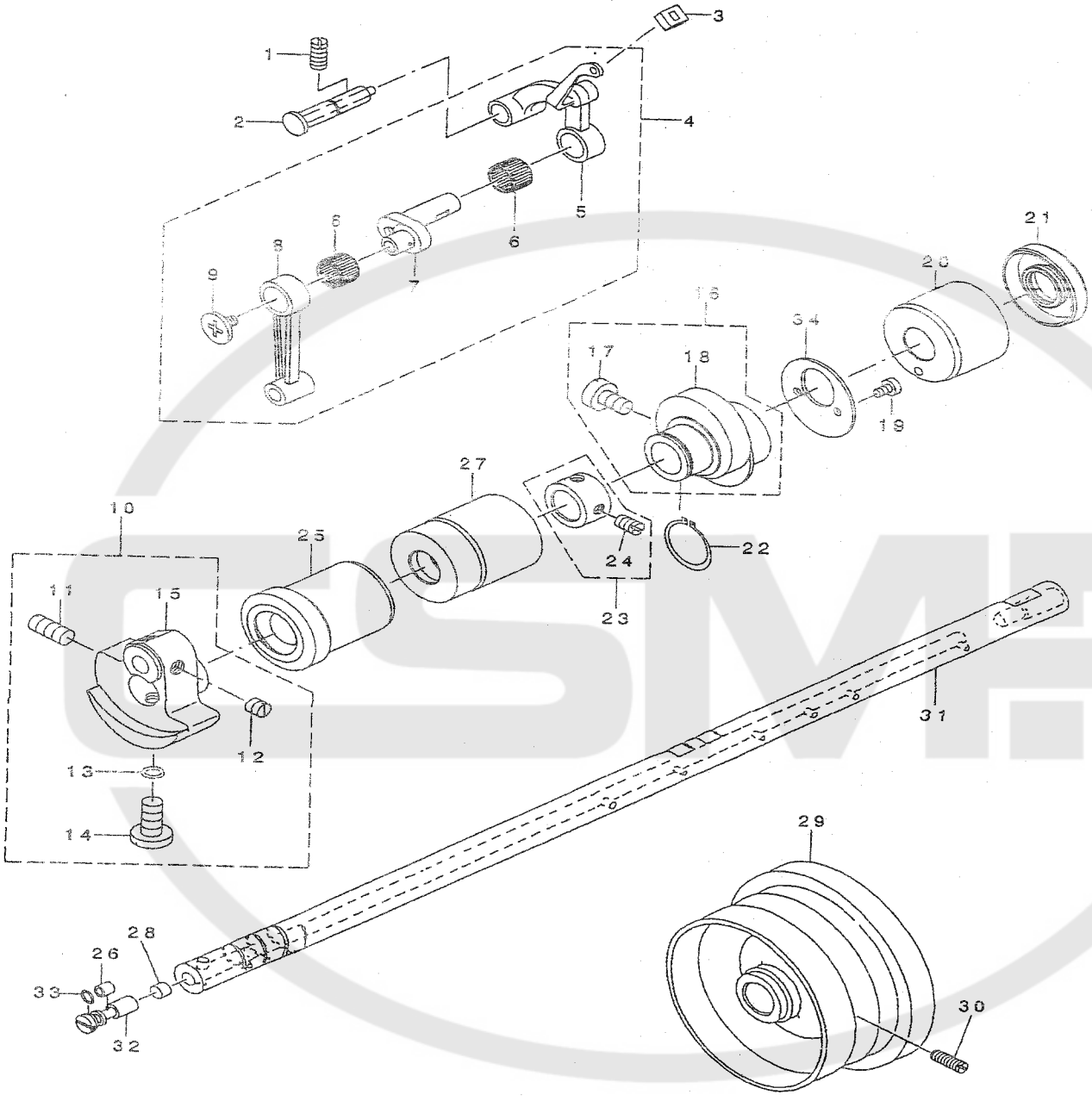
29348901  
No.1308-00

### 1. MACHINE FRAME & MISCELLANEOUS COVER COMPONENTS



REF. NO	NOTE	PART NO.	DESCRIPTION	Qty
1		229-02159	FACE PLATE ASM.	1
2		229-02209	FACE PLATE GASKET.	1
3		SS-6080410-SP	SCREW 1/8-44 L=4	1
4		229-00757	FACE PLATE OIL SHIELD ASM.	1
5		TA-0850604-R0	RUBBER PLUG	2
6		TA-1250705-R0	RUBBER PLUG	1
7		SS-4120915-SP	SCREW 3/16-28 L=9	8
8		229-00401	WINDOW PLATE	1
9		110-00619	GASKET	1
10		TA-2000502-R0	RUBBER PLUG	1
11		TA-2101002-R0	RUBBER PLUG	1
12		229-32552	NEEDLE THREAD GUIDE PIN ASM.	1
13		229-32503	THREAD GUIDE ROD	(1)
14		229-32602	THREAD GUIDE DISK	(2)
15		229-32701	THREAD GUIDE DISK SPRING	(1)
16		SD-0380552-SL	HINGE SCREW D=3.8 H=5.5	(1)
17		229-20706	TWO EYELET	1
18		229-00609	THREAD TAKE-UP LEVER COVER	1
19		SS-4120615-SP	SCREW 3/16-28 L=6	1
20		SS-4120615-SP	SCREW 3/16-28 L=6	1
21		229-20508	ARM THREAD GUIDE A	1
22		110-01500	SCREW	1
23		229-45356	THREAD TENSION ASM.	1
24		229-21308	THREAD TENSION NUT	(1)
25		229-21407	ROTATION STOPPER	(1)
26		229-21704	THREAD TENSION SPRING, A	(1)
27		229-21803	DISK STOPPER	(1)
28		229-21506	THREAD TENSION DISK	(2)
29		229-21209	THREAD TENSION POST	(1)
30		229-21605	THREAD TAKE-UP SPRING	(1)
31		229-45307	THREAD TENSION POST BASE	(1)
32		SS-8090670-SP	SCREW 9/64-40 L= 5.5	(1)
33		SS-8150710-SP	SCREW 15/64-28 L=7	1
34		B3118-552-E00	TENSION RELEASING	1
35		229-65909	THROAT PLATE	1
36		SS-2110920-TP	SCREW 11/64-40 L=8.5	2
37		229-20607	ARM THREAD GUIDE B	1
38		SS-6110610-TP	SCREW 11/64-40 L=6	1
39		TA-1250406-R0	RUBBER PLUG D=12.5 L=4	2
40		SS-4120915-SP	SCREW 3/16-28 L=9	3
41		229-01250	SLIDE PLATE ASM.	1
42		229-01201	SLIDE PLATE	(1)
43		229-01300	SLIDE PLATE SPRING	(1)
44		SS-6060210-SP	SCREW 3/32-56 L= 1.9	(2)
45		229-01003	BED SCREW STUD	4
46		229-01805	GROUND MARK	1
47		229-02605	RULER STOP SEAT	1
48		229-67301	NEEDLE SEAL	1
49		SS-7110540-SP	SCREW 11/64-40 L=5	2
50		CM-3002001-A1	SAFETY LABEL., 3 (SMALL).	1

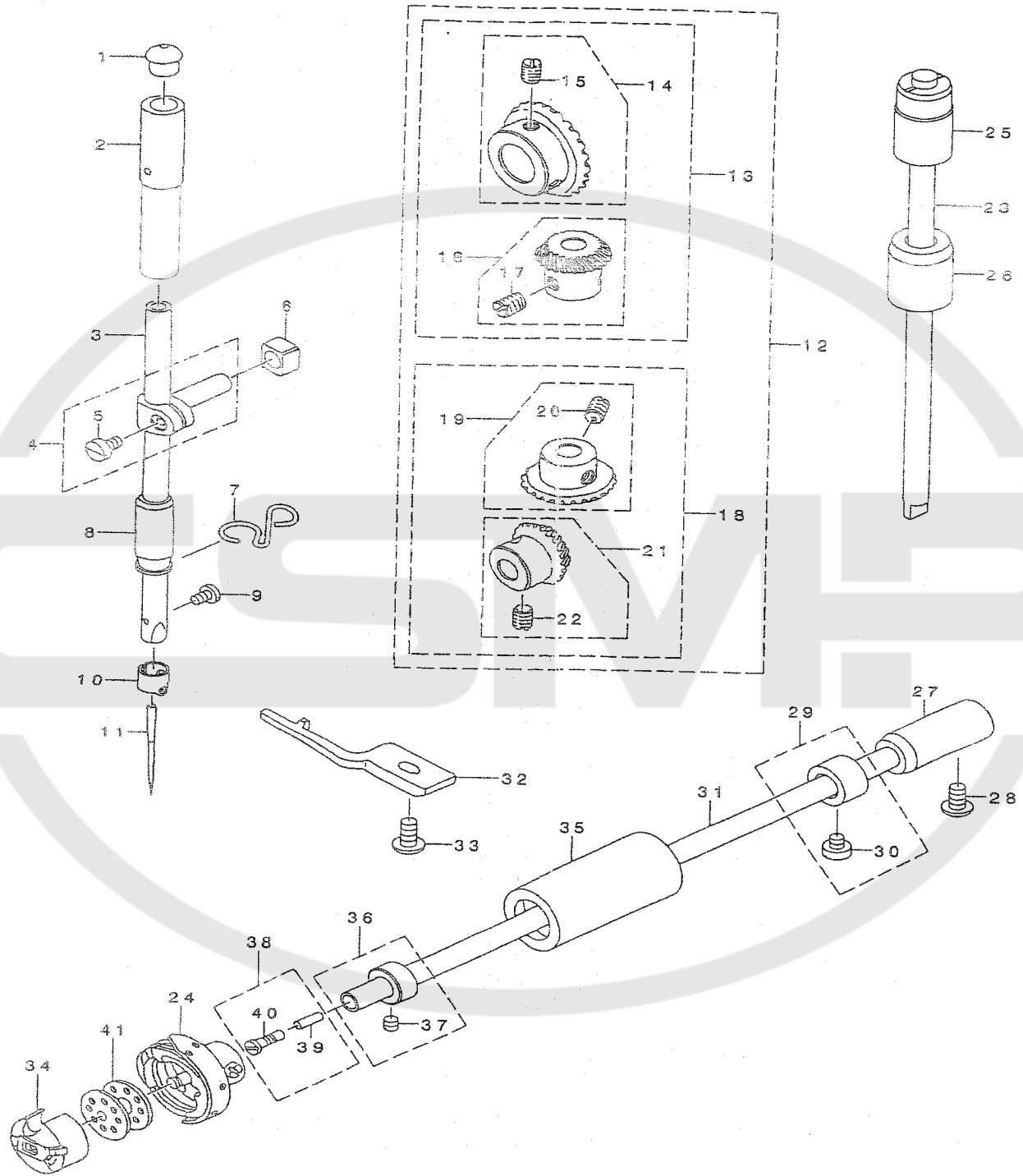
## 2. MAIN SHAFT & THREAD-UP LEVER COMPONENTS



REF. NO.	NOTE	PART NO.	DESCRIPTION	Qty
1		SS-8151150-SP	SCREW 15/64-28 L=10.5	1
2		229-19559	THREAD TAKE-UP CRANK SHAFT ASM	1
3		229-19203	OIL PROTECTING RUBBER	1
4		110-39070	THREAD TAKE-UP LEVER ASM.	1
5		110-39062	THREAD TAKE-UP LEVER ASM.	(1)
6	#01	B1905-541-B00	NEEDLE BEARING	(2)
7		110-05204	NEEDLE BAR CRANK	(1)
8		B1408-552-000	NEEDLE BAR CRANK ROD	(1)
9		B1903-552-000	LEFT SCREW	(1)
10		229-03157	COUNTER WEIGHT ASM.	1
11		SS-8681650-TP	SCREW 9/32-28 L=16	(1)
12		SS-8660610-TP	SCREW 1/4-40 L=6	(2)
13		RO-0442401-00	RUBBER RING	(1)
14		SS-7681650-TP	SCREW 9/32-28 L=16	(1)
15		229-03103	COUNTER WEIGHT	(1)
16		229-10053	FEED DRIVE ECCENTRIC CAM ASM.	1
17		SS-6661110-SP	SCREW 1/4-40 L=11	(2)
18		229-10004	FEED DRIVE ECCENTRIC CAM	(1)
19		SS-6090650-SP	SCREW 9/64-40 L=6	2
20		229-03405	MAIN SHAFT BUSHING, REAR	1
21		110-02508	OIL SEAL	1
22		RC-1850001-KP	SNAP RING 18.5	1
23		229-04155	MAIN SHAFT THRUST COLLAR ASM.	1
24		SS-8660610-TP	SCREW 1/4-40 L=6	(2)
25		229-03207	MAIN SHAFT BUSHING, FRONT	1
26		229-04007	OIL ADJUSTING COLLAR	1
27		229-03306	BUSHING, INTERMEDIATE	1
28		229-03702	ROLLER FELT	1
29		229-27206	HAND WHEEL	1
30		SS-8151550-SP	SCREW 15/64-28 L=15	2
31		229-03009	MAIN SHAFT	1
32		229-03900	ADJUSTING PIN	1
33		RO-0291801-00	RUBBER RING	1
34		229-10103	THRUST COLLAR	1

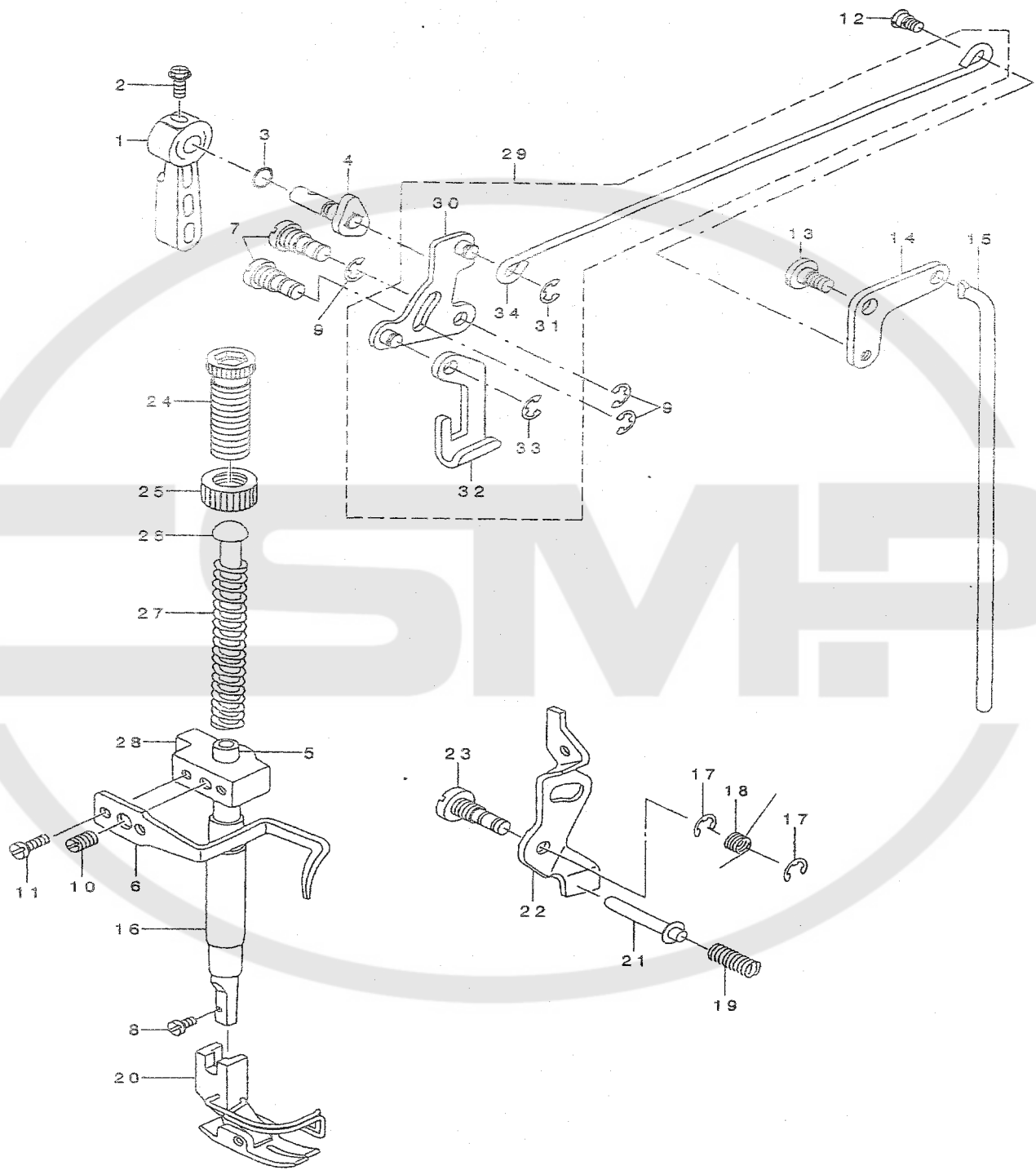
NOTE #01....SELECTIVE PARTS

### 3. NEEDLE BAR, UPRIGHT SHAFT & HOOK DRIVING SHAFT COMPONENTS



REF. NO	NOTE	PART NO.	D E S C R I P T I O N	Qty
1		229-01409	NEEDLE BAR UPPER BUSH CAP	1
2		229-06101	NEEDLE BAR BUSHING, UPPER	1
3		229-06002	NEEDLE BAR	1
4		229-06457	NEEDLE BAR HOLDER ASM.	1
5		SS-6090670-TP	SCREW 9/64-40 L=6	(1)
6		229-06507	SLIDE BLOCK	1
7		229-20805	NEEDLE BAR THREAD GUIDE	1
8		229-06200	NEEDLE BAR BUSHING, LOWER	1
9		SS-7080510-TP	SCREW 1/8-44 L=4.5	1
10		229-06309	NEEDLE BAR THREAD GUIDE	1
11		MDB-100B1400	NEEDLE DBXI #14	1
12		B1306-155-0C0	GEAR & PINION ASM.	1
13		B1306-155-0B0	GEAR & PINION ASM., UPPER	(1)
14		B1305-012-0A0	GEAR ASM.	(1)
15		SS-8660810-TP	SCREW 1/4-40 L=8	(2)
16		B1306-155-0A0	PINION ASM.	(1)
17		SS-8660810-TP	SCREW 1/4-40 L=8	(2)
18		B1307-155-0B0	GEAR & PINION ASM., LOWER	(1)
19		B1307-155-0A0	GEAR ASM. LARGE	(1)
20		SS-8660810-TP	SCREW 1/4-40 L=8	(2)
21		B1308-155-0A0	PINION ASM.	(1)
22		SS-8660810-TP	SCREW 1/4-40 L=8	(2)
23		229-05004	UPRIGHT SHAFT	1
24		B1830-127-0A0	HOOK ASM.	1
25		229-05103	UPRIGHT SHAFT BUSHING, UPPER	1
26		229-05202	UPRIGHT SHAFT BUSHING, LOWER	1
27		229-16308	HOOK DRIVING SHAFT BUSH, REAR	1
28		SS-4120915-SP	SCREW 3/16-28 L=9	1
29		229-17157	THRUST COLLAR ASM., REAR	1
30		SS-6110420-TP	SCREW 11/64-40 L=4.8	(2)
31		229-16001	HOOK DRIVING SHAFT	1
32		229-16407	BOBBIN CASE POSITIONING FINGER	1
33		SS-4110915-TP	SCREW 11/64-40 L=9	1
34		B1837-012-0A0	BOBBIN CASE ASM.	1
35		229-16100	HOOK DRIVING SHAFT BUSH, FRONT	1
36		229-17058	THRUST COLLAR ASM., FRONT	1
37		SS-8110410-TP	SCREW 11/64-40 L= 3.5	(2)
38		229-16555	OIL SEAL SCREW ASM.	1
39		229-16605	OIL WICK	(1)
40		229-16506	SET SCREW	(1)
41		229-32909	BOBBIN	1

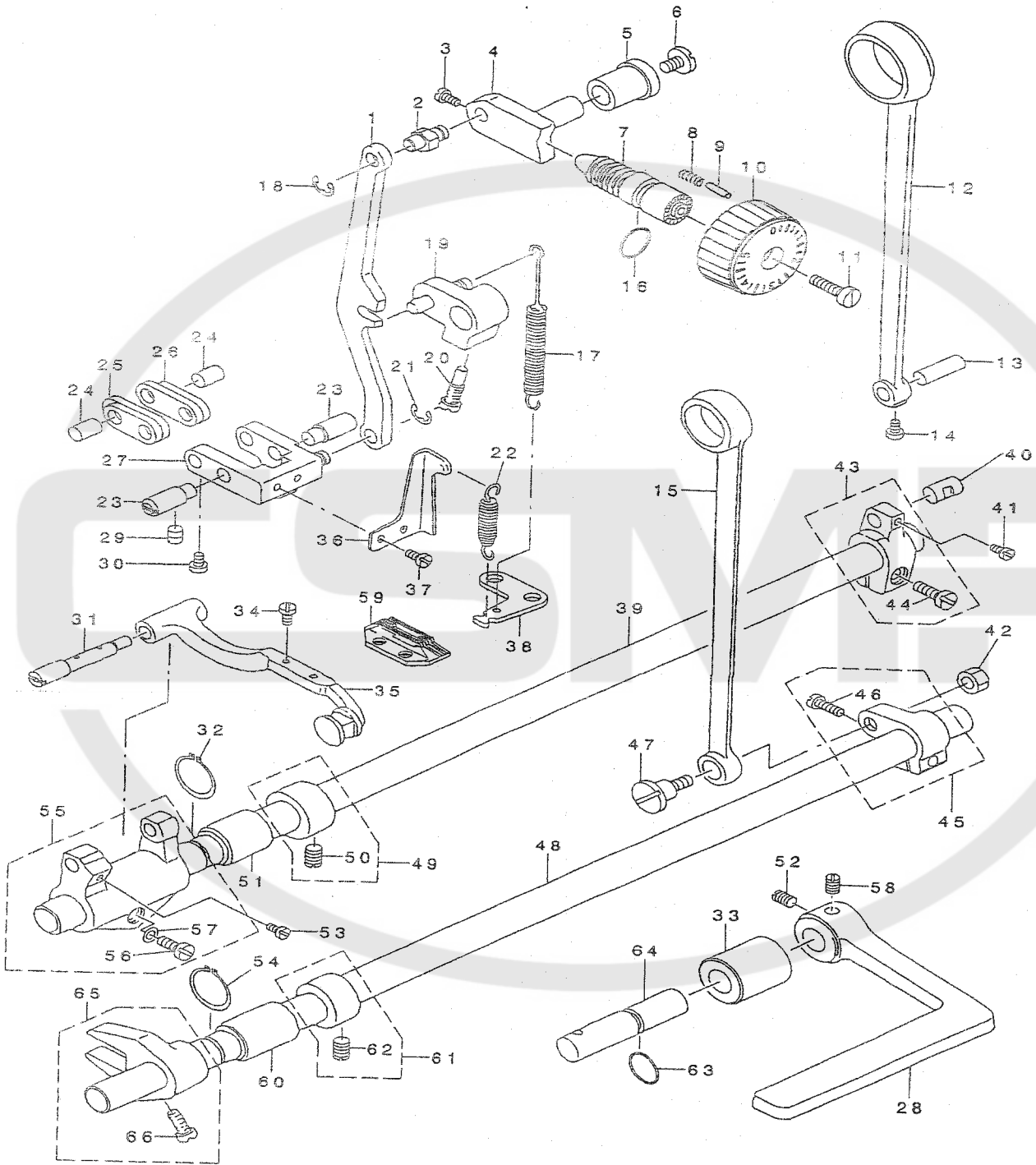
# 4. HAND LIFTER COMPONENTS



REF. NO.	NOTE	PART NO.	DESCRIPTION	Qty
1		229-07802	HAND LIFTER	1
2		B1521-555-000	SCREW	1
3		RO-0371801-00	RUBBER RING	1
4		229-08552	HAND LIFTER CAM ASM.	1
5		229-07000	PRESSER BAR	1
6		229-07307	THREAD GUIDE	1
7		110-06509	LINK SHAFT	1
8		SS-7091110-SP	SCREW 9/64-40 L=10.5	1
9		RE-0500000-K0	E-RING	3
10		SS-8660810-TP	SCREW 1/4-40 L=8	1
11		SS-6090910-SP	SCREW 9/64-40 L=9	2
12		229-08909	HINGE SCREW	1
13		SD-0720331-SP	HINGE SCREW D= 7.24 H= 3.3	1
14		229-08800	KNEE LIFTER LINK	1
15		229-09006	KNEE LIFTER CONNECTING ROD	1
16		229-07109	PRESSER BAR BUSHING, LOWER	1
17		RE-0800000-K0	E-RING	2
18		229-20201	RETURN SPRING	1
19		229-20409	THREAD RELEASE PIN SPRING	1
20		B1524-012-OBA	PRESSER FOOT ASM.	1
21		229-20300	THREAD RELEASE SUPPORTING PIN	1
22		229-20003	THREAD RELEASE PLATE	1
23		110-18108	TENSION RELEASE SHAFT	1
24		229-07505	PRESSER SPRING REGULATOR	1
25		229-07604	PRESSER SPRING REGULATOR NUT	1
26		229-07703	PRESSER GUIDE BAR	1
27		229-07406	PRESSER SPRING	1
28		229-07208	PRESSER BAR GUIDE BRACKET	1
29		229-08354	KNEE LIFTING CROSS ROD ASM.	1
30		229-08156	LIFTING LINK ASM.	(1)
31		RE-0500000-K0	E-RING	(1)
32		229-08008	LIFTING PLATE	(1)
33		RE-0500000-K0	E-RING	(1)
34		229-08305	KNEE LIFTING CROSS ROD	(1)

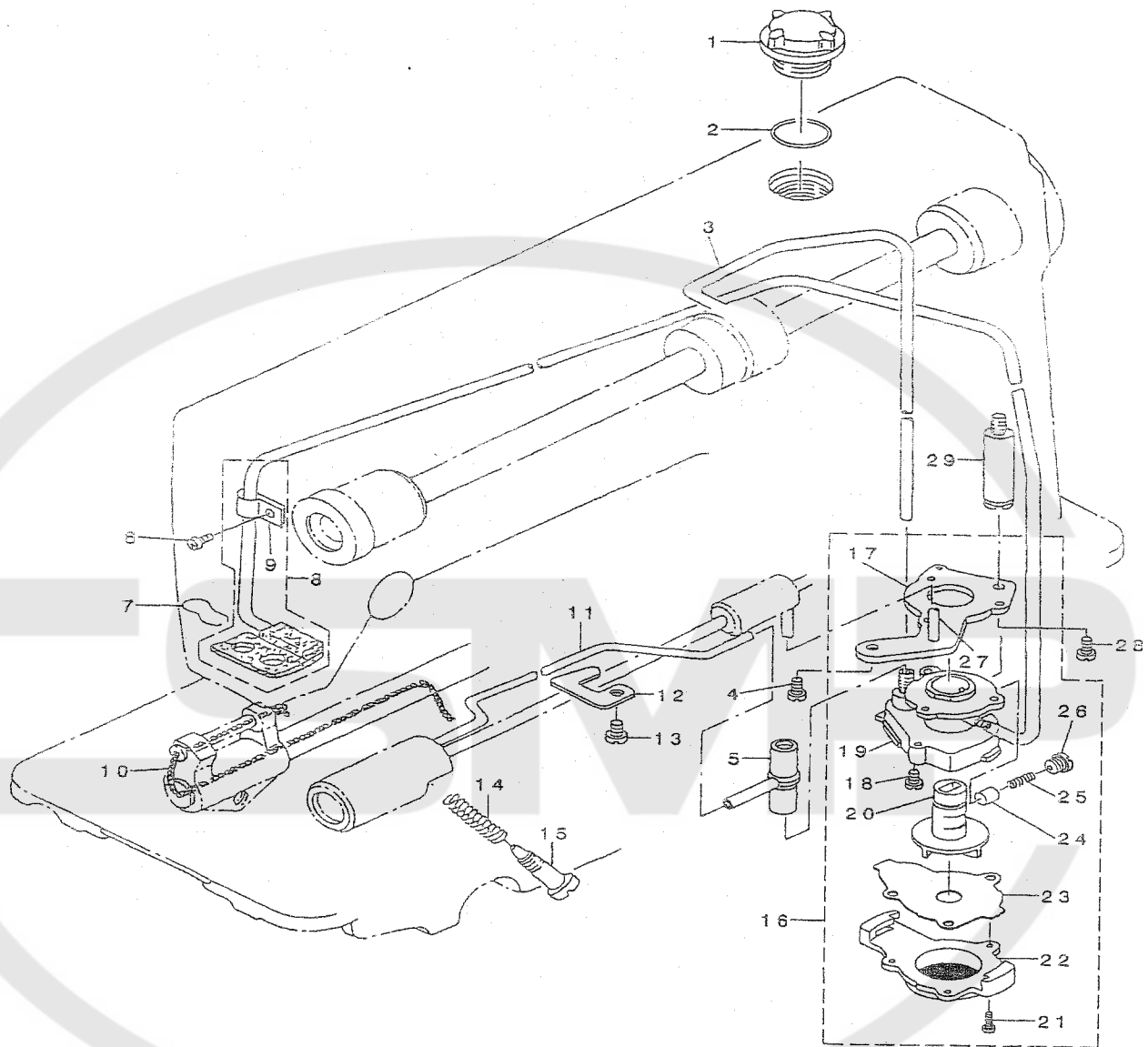


# 5. FEED MECHANISM COMPONENTS



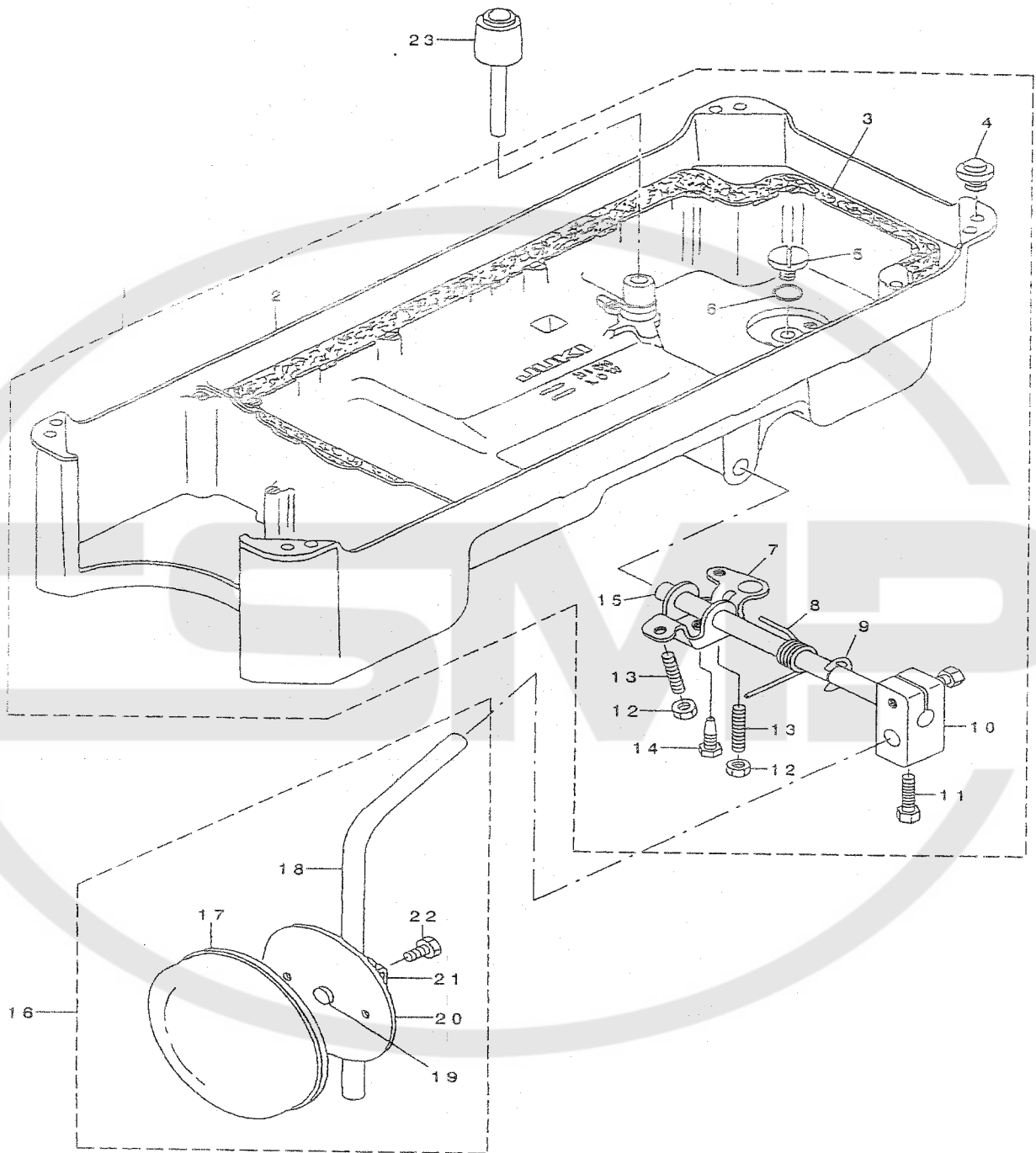
REF. NO.	NOTE	PART NO.	DESCRIPTION	Qty
1		229-11408	FEED REGULATOR CONNECTING ROD	1
2		229-11507	WALKING FOOT PIN C	1
3		SS-6090670-TP	SCREW 9/64-40 L=6	1
4		229-11606	FEED REGULATOR	2
5		229-11705	FEED REGULATOR BUSHING	1
6		SS-7120770-SH	SCREW 3/16-28 L=7	1
7		229-11804	FEED REGULATOR SCREW	1
8		229-12109	FEED REGULATOR PIN SPRING	1
9		229-12000	FEED REGULATOR PIN	1
10		229-11903	FEED DIAL	1
11		SS-6121860-SP	SCREW 3/16-28 L=18	1
12		229-10202	ROCKER SHAFT CONNECTING ROD	1
13		229-11101	WALKING FOOT PIN C	1
14		SS-6090620-SP	SCREW 9/64-40 L=6	1
15		229-15003	CONNECTING ROD	1
16		RO-0922702-00	RUBBER RING	1
17		229-12406	FEED LEVER SPRING	1
18		RE-0500000-KO	E-RING	1
19		229-12257	FEED REVERSE ARM ASM.	1
20		229-12505	FEED REVERSE ARM SCREW	1
21		RE-0500000-KO	E-RING	1
22		229-11309	ADJUSTING LINK SPRING	1
23		229-10806	ADJUST LINK FULCRUM SHAFT A	1
24		229-10905	WALKING FOOT PIN A	2
25		229-10707	CONNECTING LINK B	2
26		229-10508	CONNECTING LINK A	2
27		229-10459	FEED ADJUSTING LINK ASM.	2
28		229-12703	FEED LEVER	1
29		SS-8150710-SP	SCREW 15/64-28 L=7	1
30		SS-6090620-SP	SCREW 9/64-40 L=6	2
31		229-40803	FEED BAR SHAFT	2
32		RC-0150001-KP	RETAINING RING 13.8	1
33		229-12802	FEED LEVER SHAFT BUSHING	1
34		SS-4080620-TP	SCREW 1/8-44 L=6	1
35		229-71857	FEED BASE ASM.	2
36		229-41306	REGULATOR LINK SPRING HOOK	1
37		SS-7110510-SP	SCREW 11/64-40 L=5	1
38		229-13701	FEED SPRING HOOK	2
39		229-12901	FEED ROCKER SHAFT	1
40		229-11002	WALKING FOOT PIN B	1
41		SS-6090620-SP	SCREW 9/64-40 L=6	1
42		NS-6680410-SP	NUT 9/32-28	1
43		229-10350	FEED ROCKER SHAFT CRANK ASM.	1
44		SS-7121410-TP	SCREW 3/16-28 L=14	1
45		229-15151	FEED ARM COMPL.	(1)
46		SS-7121610-SP	SCREW 3/16-28 L=15.5	1
47		SD-1000801-SH	HINGE SCREW D=10 H=8	(1)
48		229-15201	FEED DRIVING SHAFT	1
49		229-04155	MAIN SHAFT THRUST COLLAR ASM.	1
50		SS-8660610-TP	SCREW 1/4-40 L=6	1
51		229-13008	FEED ROCKER SHAFT BUSHING	(2)
52		SM-8061050-TP	SCREW	1
53		SS-7110740-TP	SCREW 11/64-40 L=7	1
54		RC-0150001-KP	RETAINING RING 13.8	1
55		229-40654	FEED ROCKER ASM.	1
56		SS-7121410-TP	SCREW 3/16-28 L=14	1
57		WP-0480856-SP	WASHER 4.8X8.4X0.8	(1)
58		SM-8061010-TP	SCREW	(1)
59		B1613-012-100	FEED DOG I	1
60		229-13008	FEED ROCKER SHAFT BUSHING	1
61		229-04155	MAIN SHAFT THRUST COLLAR ASM.	1
62		SS-8660610-TP	SCREW 1/4-40 L=6	1
63		RO-0781901-00	RUBBER RING	(1)
64		229-12604	FEED REVERSE SHAFT	1
65		229-15359	DRIVING SHAFT CRANK ASM.	1
66		SS-7111120-SP	SCREW 11/64-40 L=10.5	1

# 6. OIL LUBRICATION COMPONENTS



REF. NO	NOTE	PART NO.	DESCRIPTION	Qty
1		229-24708	OIL SIGHT WINDOW	1
2		RO-1952401-00	RUBBER RING	1
3		229-24401	MAIN SHAFT OIL TUBE	1
4		SS-4150915-SP	SCREW 15/64-28 L=9	1
5		229-24609	RUBBER JOINT	1
6		SS-4120615-SP	SCREW 3/16-28 L=6	1
7		229-25101	OIL FELT PRESSER	1
8		229-24153	RETURN PIPE ASM.	1
9		229-24302	RETURN PIPE HOLDER	(1)
10		CQ-2520000-00	OIL WICK	0.3
11		229-24500	HOOK OIL TUBE	1
12		229-24807	PIPE HOLDER, LOWER	1
13		SS-4150915-SP	SCREW 15/64-28 L=9	1
14		229-24906	OIL REGULATOR SCREW SPRING	1
15		229-25002	OIL REGULATOR SCREW	1
16		229-23056	OIL PUMP ASM.	1
17		229-23304	PUMP BODY INSTALLING PLATE	(1)
18		SL-4030851-SF	SCREW M3 L=8	(3)
19		229-23007	PUMP BODY	(1)
20		229-23700	IMPELLER	(1)
21		SE-4301041-SR	SCREW D=3 L=10	(3)
22		229-23205	PUMP BODY COVER	(1)
23		229-23809	PUMP BODY SUPPORT PLATE	(1)
24		229-23403	PLUNGER	(1)
25		229-23601	PLUNGER SPRING	(1)
26		229-23502	PLUNGER SCREW	(1)
27		229-23908	HOOK DRIVING SHAFT OILING PIPE	(1)
28		SS-6111010-TP	SCREW 11/64-40 L= 9.5	1
29		229-24005	PUMP BODY STRUT	1

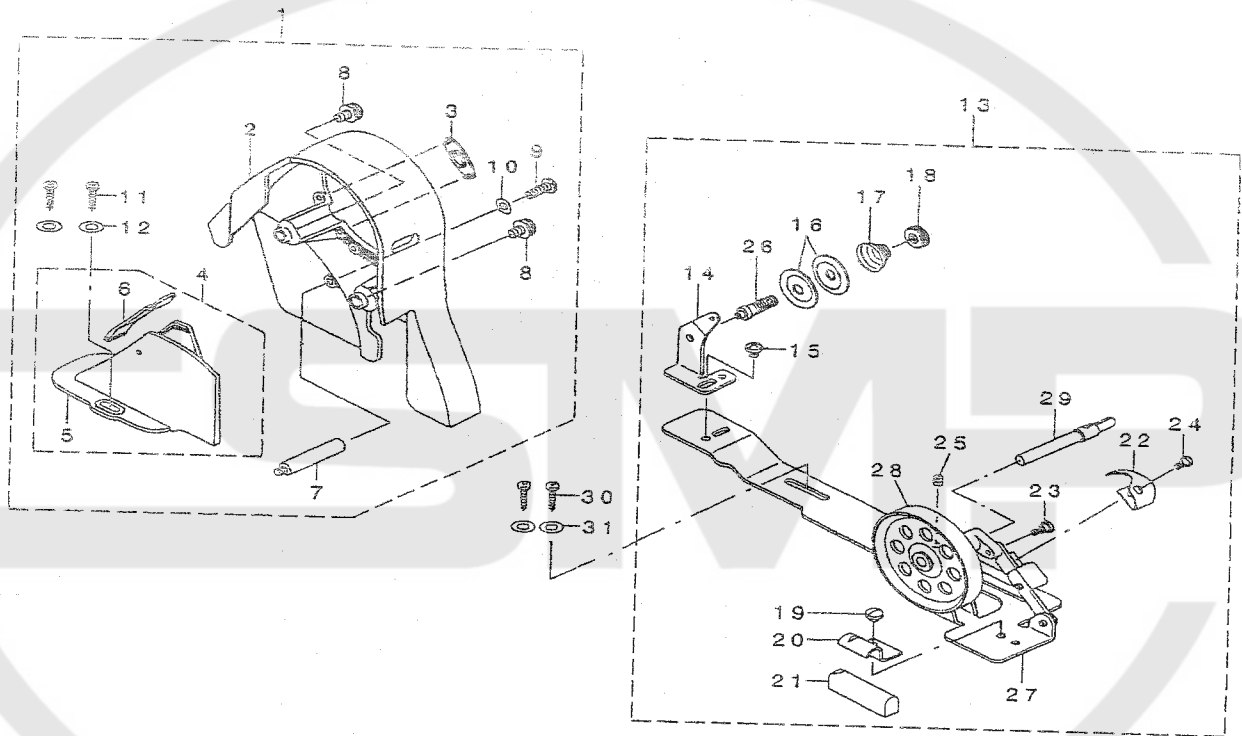
# 7. OIL RESERVOIR COMPONENTS



REF. NO	NOTE	PART NO.	DESCRIPTION	Qty
1		229-31851	OIL RESERVOIR ASM.	1
2		229-31802	OIL RESERVOIR	(1)
3		229-31901	OIL RESERVOIR GASKET	(1)
4		229-32008	RUBBER CUSHION	(4)
5		SS-6700710-SH	SCREW 5/16-24 L=7	(1)
6		RO-1082401-00	RUBBER RING	(1)
7		229-32107	KNEE LIFTING ROTATING ARM	(1)
8		229-32206	SPRING	(1)
9		RE-1000000-KO	E-RING 10	(1)
10		229-32404	VERTICAL SHAFT FITTING ARM	(1)
11		229-34707	SCREW	(2)
12		NM-6060001-SE	NUT M6	(2)
13		SM-8063012-TR	SCREW M6 L=30	(2)
14		SM-9061853-SR	SCREW M6 L=17.5	(1)
15		229-32305	KNEE PRESS CROSS SHAFT	(1)
16		229-34251	KNEE PAD PLATE ASM.	1
17		229-34509	KNEE PAD PLATE COVER	(1)
18		229-34508	KNEE PAD UPRIGHT SHAFT	(1)
19		229-34400	KNEE PAD PLATE RUBBER	(1)
20		229-34202	KNEE PAD PLATE	(1)
21		229-34301	KNEE PAD PLATE SUPPORT	(1)
22		SM-9061203-SE	SCREW M6 L=12	(1)
23		229-31703	KNEE LIFTER PUSH ROD	1

CSMP

# 8. BELT COVER & BOBBIN COMPONENTS

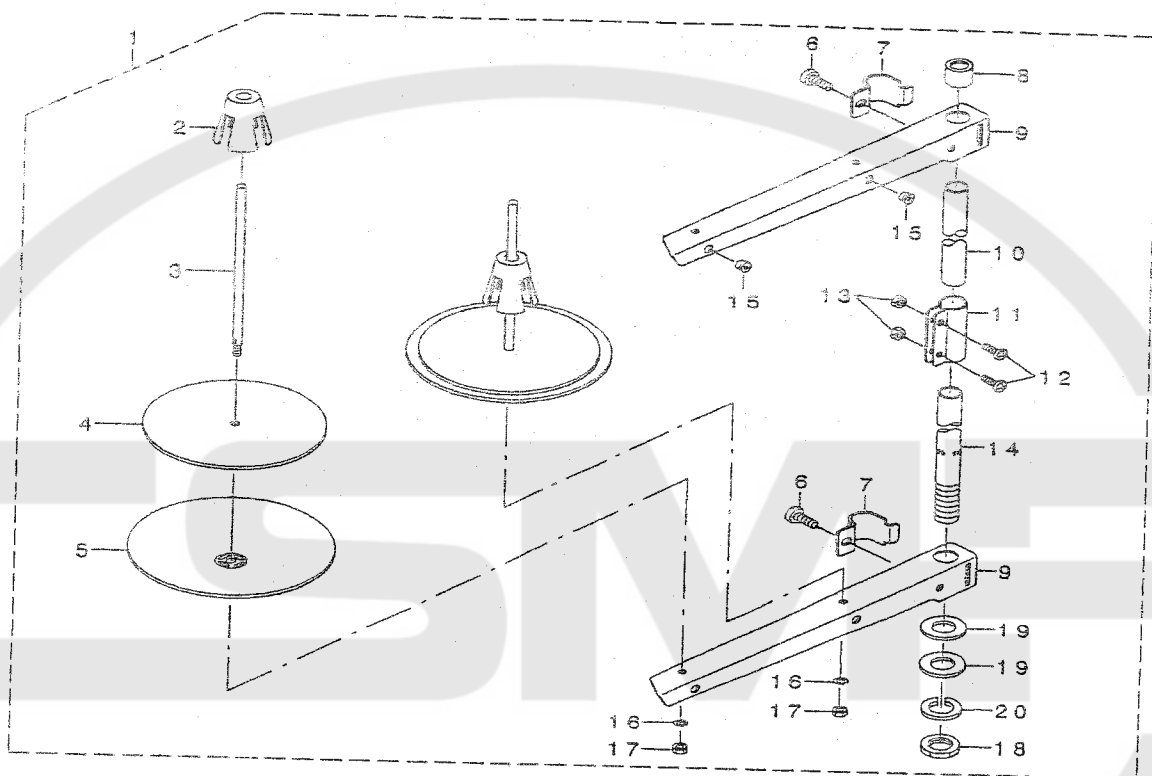


REF. NO	NOTE	PART NO.	DESCRIPTION	Qty
1		229-33451	BELT COVER ASM.	1
2		229-33402	BELT COVER A	(1)
3		229-33501	BELT COVER A CAP	(1)
4		229-33659	BELT COVER B COMPL.	(1)
5		229-33600	BELT COVER B	(1)
6		229-33758	BELT COVER B LID ASM.	(1)
7		229-33907	BELT COVER STRUT	(1)
8		229-34004	SET SCREW	(2)
9		SS-4121415-SP	SCREW 3/16-28 L=14	(1)
10		WP-0501016-SD	WASHER 5X10.5X1	(1)
11		SK-3412000-SC	WOOD SCREW D=4.1 L=20	(2)
12		WP-0450826-SC	WASHER 4.5X10X0.8	(2)
13		229-27354	BOBBIN WINDER COMPL.	1
14		229-28501	THREAD TENSION POST BASE	(1)
15		SS-4110515-SP	SCREW 11/64-40 L=5	(1)
16		229-28907	THREAD TENSION DISK	(2)
17		229-29004	THREAD TENSION SPRING	(1)
18		229-28808	NUT	(1)
19		SS-7110350-SP	SCREW 11/64-40 L=3.5	(1)
20		229-28402	CONTROL RUBBER HOLDING PLATE	(1)
21		229-28303	CONTROL RUBBER	(1)
22		229-28106	BOBBIN PRESSER	(1)
23		SD-0490261-SP	HINGE SCREW D=4.9 H=2.6	(1)
24		SS-7081310-SP	SCREW 1/8-44 L=12.5	(1)
25		SS-8110510-SP	SCREW 11/64-40 L=5	(1)
26		229-28709	THREAD TENSION POST	(1)
27		229-27305	BOBBIN WINDER BASE	(1)
28		229-27404	BOBBIN WINDER	(1)
29		229-27802	BOBBIN WINDER SPINDLE	(1)
30		SK-3412000-SC	WOOD SCREW D=4.1 L=20	2
31		WP-0450826-SC	WASHER 4.5X10X0.8	2





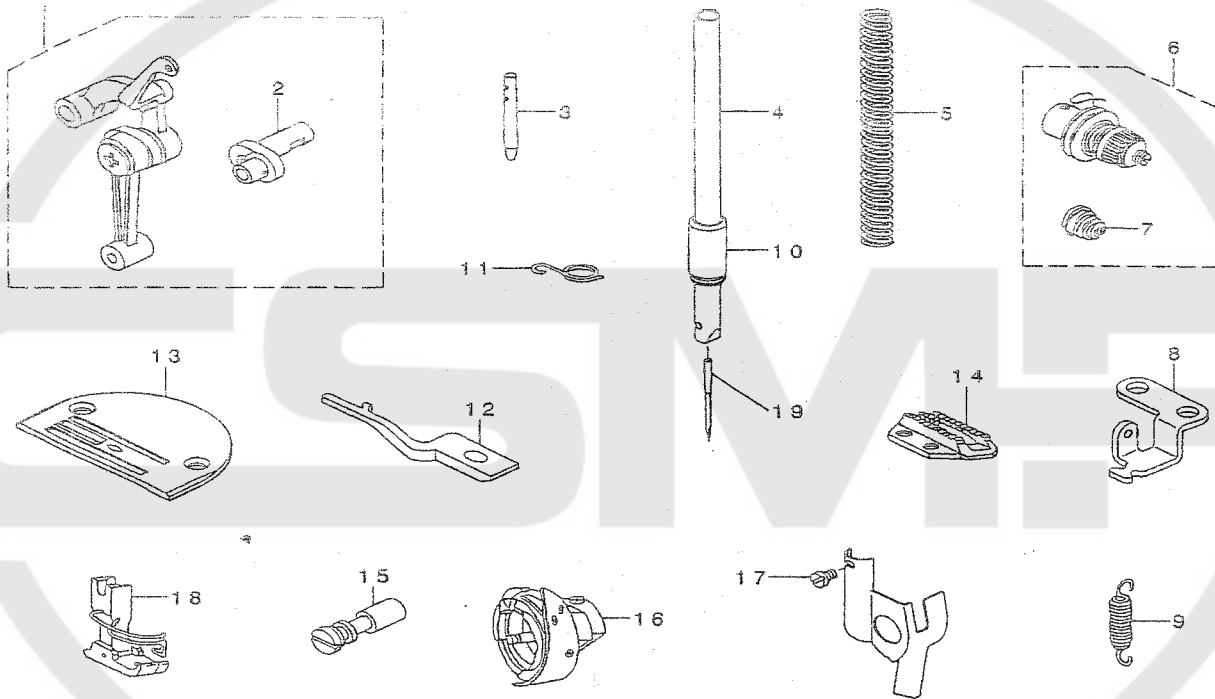
# 9. THREAD STAND COMPONENTS



REF. NO	NOTE	PART NO.	DESCRIPTION	Qty
1		229-30358	THREAD STAND ASM.	1
2		229-31109	SPOOL RETAINER	(2)
3		229-31000	SPOOL PIN	(2)
4		229-30903	SPOOL REST CUSHION	(2)
5		229-30804	SPOOL REST	(2)
6		SM-6061610-SC	SCREW M6 L=16	(2)
7		229-30705	THREAD GUIDE ARM JOINT	(2)
8		229-31406	SPOOL REST ROD RUBBER CAP	(1)
9		229-30507	SPOOL REST ARM	(2)
10		229-30408	SPOOL REST ROD, UPPER	(1)
11		229-31307	SPOOL REST ROD JOINT	(1)
12		SM-4051405-SE	SCREW M5 L=14	(2)
13		NM-6050001-SE	NUT M5	(2)
14		229-30309	SPOOL REST ROD, LOWER	(1)
15		229-31208	THREAD GUIDE	(2)
16		WS-0510002-KN	SPRING WASHER	(2)
17		NM-6050001-SE	NUT M5	(2)
18		NM-6160511-SE	NUT M16X1.5	(1)
19		WP-1612616-SE	WASHER 16X30X2.6	(2)
20		WS-1643202-KR	SPRING WASHER	(1)

CSMP

10. EXCLUSIVE PARTS FOR DDL-8300NH



REF. NO	NOTE	PART NO.	DESCRIPTION	Qty
1		110-91659	LINK THREAD TAKE-UP LEVER ASM.	1
2		110-91600	NEEDLE BAR CRANK H	(1)
3		B1114-012-000	THREAD GUIDE PIN	1
4		229-70206	NEEDLE BAR	1
5		B1505-552-000-A	PRESSER SPRING	1
6		110-73558	THREAD TENSION ASM.	1
7		B3114-232-000	THREAD TENSION SPRING	(1)
8		229-62203	FEED SPRING RACK	1
9		110-91204	ADJUST LINK SPRING	1
10		229-70305	NEEDLE BAR BUSHING , LOWER	1
11		B1419-553-000	NEEDLE BAR THREAD GUIDE	1
12		229-62104	INNER HOOK PRESSER H	1
13		B1109-555-H0B	THROAT PLATE (H)	1
14		B1613-555-H00	FEED DOG (H)	1
15		B1213-552-000-A	OIL ADJUSTING PIN	1
16		110-92459	LUBRICATING BOBBIN ASM.	1
17		SS-6080320-SP	SCREW 1/8-44 L= 2.5	1
18		B1511-543-BBA	HINGED PRESSER FOOT ASM.	1
19		MDB-100B2100	NEEDLE DBX1 #21	1